

N° 26,599



A.D. 1909

(Under International Convention.)

Date claimed for Patent under Patents and Designs Act, 1907, being date of first Foreign Application (in France), } 5th Aug., 1908

Date of Application (in the United Kingdom), 24th May, 1909

At the expiration of 12 months from the date of the first Foreign Application, the provision of Section 91 (3) (a) of the Patents and Designs Act, 1907, as to inspection of Specification, became operative

Accepted, 19th May, 1910

### COMPLETE SPECIFICATION.

#### Improvements in or relating to Messengers for Kites.

I, HENRI PEUVOT, of 40, rue Brunel, Paris, France, Engineer, do hereby declare the nature of this invention and in what manner the same is to be performed, to be particularly described and ascertained in and by the following statement:—

- 5 This invention relates to that type of messenger for kites which comprises an elevating surface held by a cord, said surface being raised by the wind and adapted to ascend the kite string until an obstacle on the latter releases the means retaining the said cord so that the said surface offers no further resistance to the wind and descends.
- 10 It has been proposed to attach parcels or the like to the means retaining the cord which may be released at the same time as the latter and also to secure advertisements to such messengers.
- The invention comprises a supporting surface of any suitable material having a crosspiece or batten along one edge which is pivoted to a carriage, the said
- 15 surface having a cord attached thereto adapted to be engaged by means on the carriage to hold it in operative position against the pressure of a spring tending to force the said surface into inoperative position by turning it on its pivot when the cord is released by the action of an obstacle attached to the kite string on the retaining means.
- 20 The messenger may advantageously be combined with a pocket, which may be so constructed as to remain closed during the rising position of the surface, but is automatically opened when arriving at the end of the said upward movement; the said pocket therefore is adapted to distribute advertisements in large quantities in far away places.
- 25 In order that the invention may be readily understood reference may be had to the accompanying drawings in which:
- Figure 1 shows in perspective view a messenger according to this invention rising along the string of a kite *a*.
- Figure 2 shows the means for releasing the cord holding the supporting
- 30 surface.
- Figure 3 shows one form of pocket, closed.
- Figure 4 shows the same open.
- The messenger consists of a carriage *k* preferably provided with rollers *k'*

[*Price 8d.*]



*Pewot's Improvements in or relating to Messengers for Kites.*

for facilitating its movement along the cord *l*, and to which is pivoted by means of a cross-bar *m*, supporting surface or panel *n* which is normally maintained parallel to the axis of the carriage *k* by means of a spring *o* but can, when desired, be moved in opposition to the action of the said spring, into the position in which the said surface is shown in the accompanying drawing, 5 this result being obtained in the example illustrated by means of a string *p* provided with a ring *p'* which is held in position by means of a slide *q* projecting from the carriage *k* and adapted to come into engagement with a stop *r* arranged on the cord. If in these conditions the messenger is allowed to rise 10 along the cord *l*, after having engaged the ring *p'* of its string by means of the rod *q*, and having pushed the latter right forward into the eyelet *q'*, for the purpose of maintaining the engagement, as soon as the upper end of the said rod meets the stop *r*, it is forced to move back and to release the ring *p'* and consequently also the surface or panel *p* which the spring *o* brings at once into a position parallel to the slide *k*, so that being exposed to the direct action of the 15 wind no longer, it is obliged to descend along the cord owing to its weight.

The slide may be raised and lowered automatically along the cord of a kite, so that an advertisement attached thereto will attract attention, or a series of different messengers may be used, the latter having advertisements attached to them which are raised and lowered in turn. Still better, a messenger can be 20 used which is adapted to receive advertisement leaflets and to open at the moment of disengagement which takes place at the end of the ascension. By proceeding in the latter manner, advertisements in large quantities can be distributed in far away places.

The pocket or wallet shown in Figures 3 and 4 is constructed on the supporting 25 surface *n*. The mouth of the wallet faces upwards when the surface *n* is engaged by the string and closing means are provided for said mouth which opens, owing to the weight of the contents, when the surface is thrown out of gear.

Having now particularly described and ascertained the nature of my said 30 invention and in what manner the same is to be performed, I declare that what I claim is:—

1. A messenger for kites, comprising a supporting surface having a cross-piece along one edge which is pivoted to a carriage, said surface having a cord 35 attached thereto to hold it in operative position against the pressure of a spring tending to force the said surface into inoperative position by turning it on its pivot when the cord is released at the end of its ascending course.

2. A messenger as set forth in Claim 1, provided with a pocket in the form of a wallet secured to the supporting surface of the messenger, the mouth of said wallet being adapted to be held facing upwards and closing means being 40 provided for said mouth, which opens when said surface is thrown out of gear.

3. A messenger for kites substantially as described or as illustrated in the accompanying drawing.

Dated this 16th day of November, 1909.

BOULT, WADE & TENNANT, 45  
111 & 112, Hatton Garden, London, E.C.,  
Chartered Patents Agents.

[This Drawing is a reproduction of the Original on a reduced scale.]

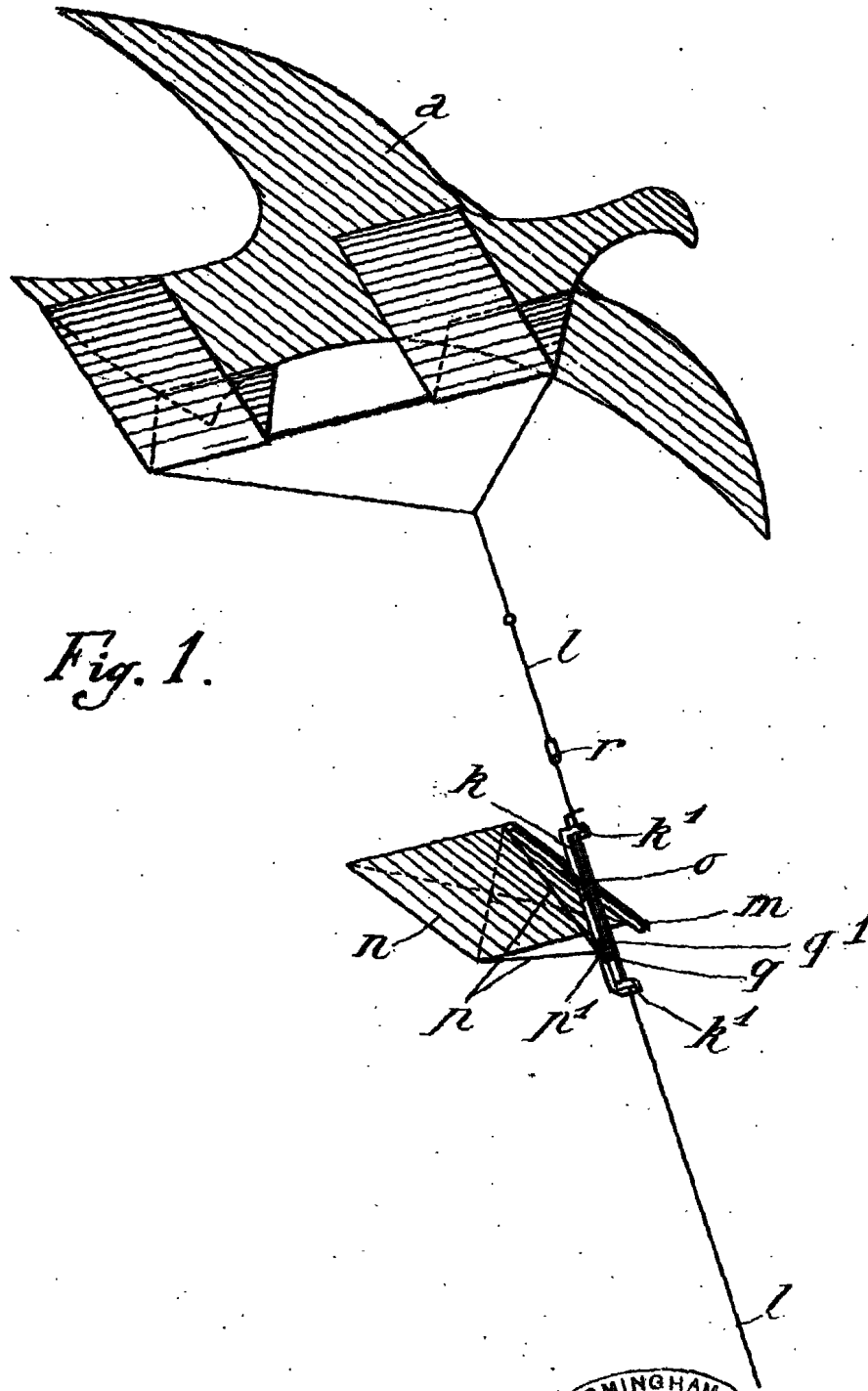
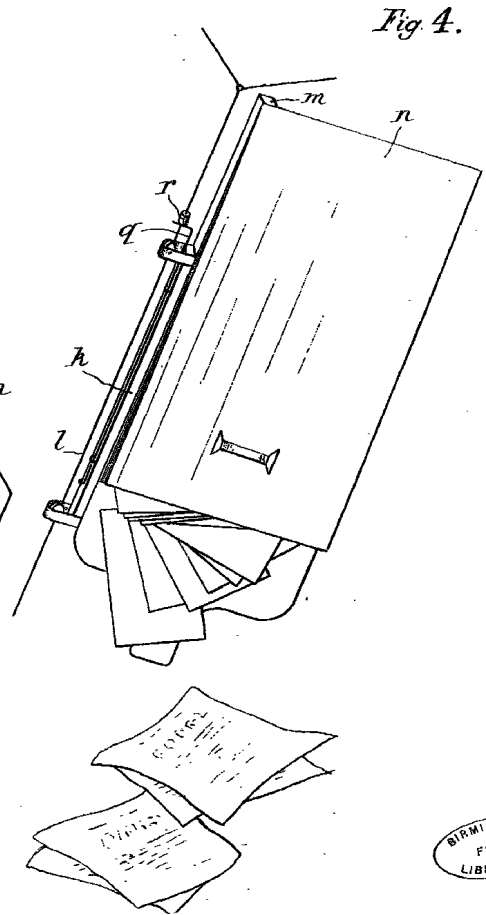
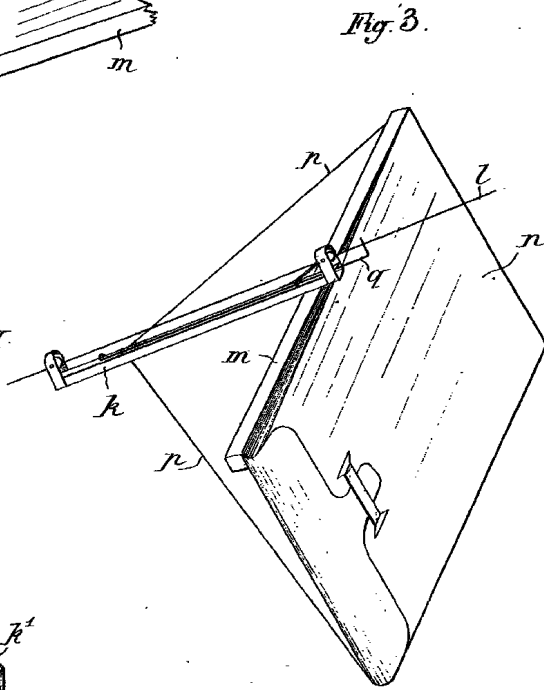
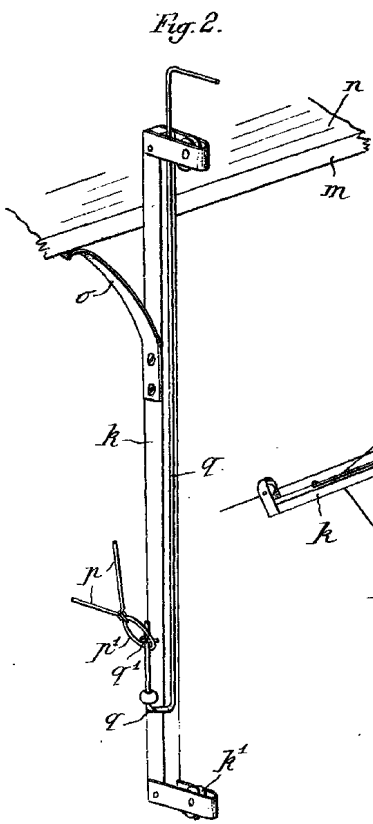


Fig. 1.

BIRMINGHAM  
FREE  
LIBRARIES.



This drawing is a reproduction of the original on a reduced scale.

BIRMINGHAM  
FREE  
LIBRARIES

Fig. 2.

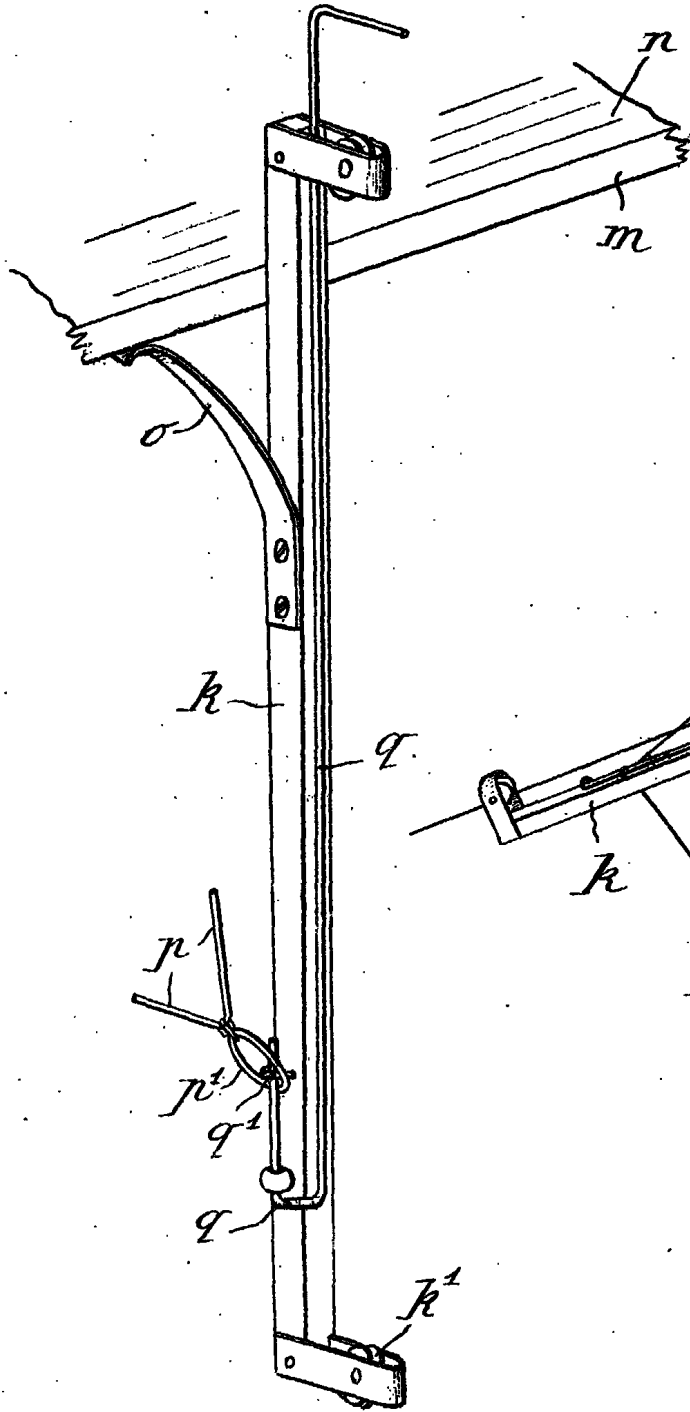
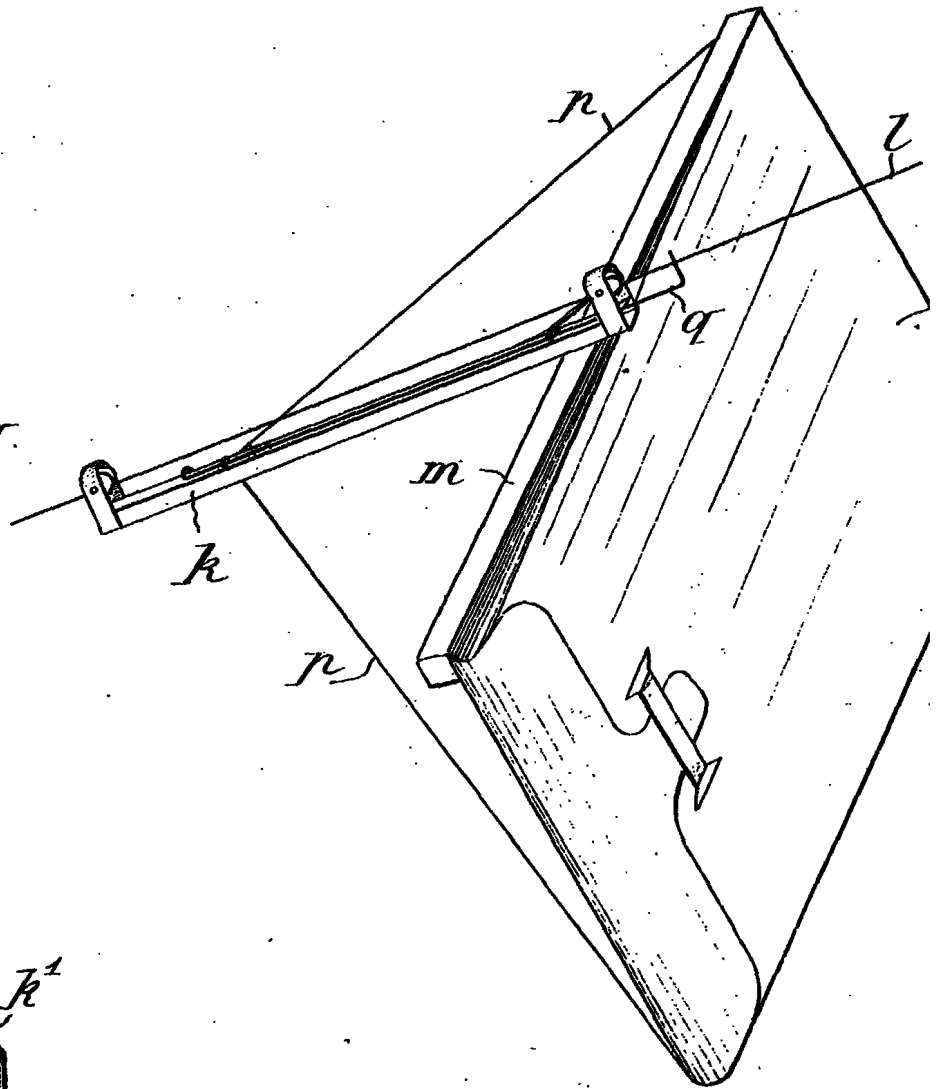
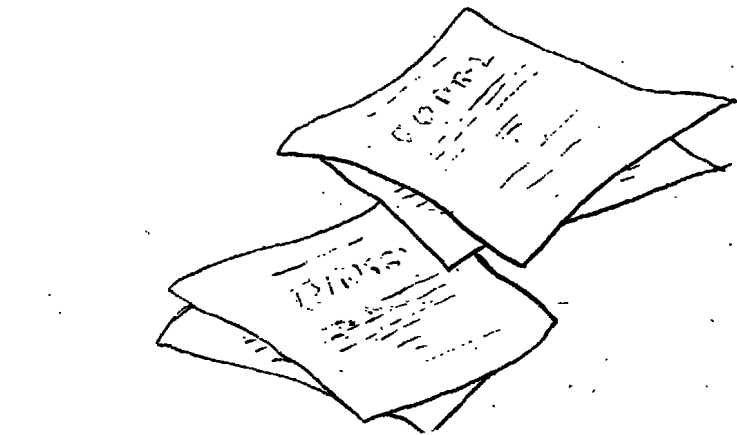
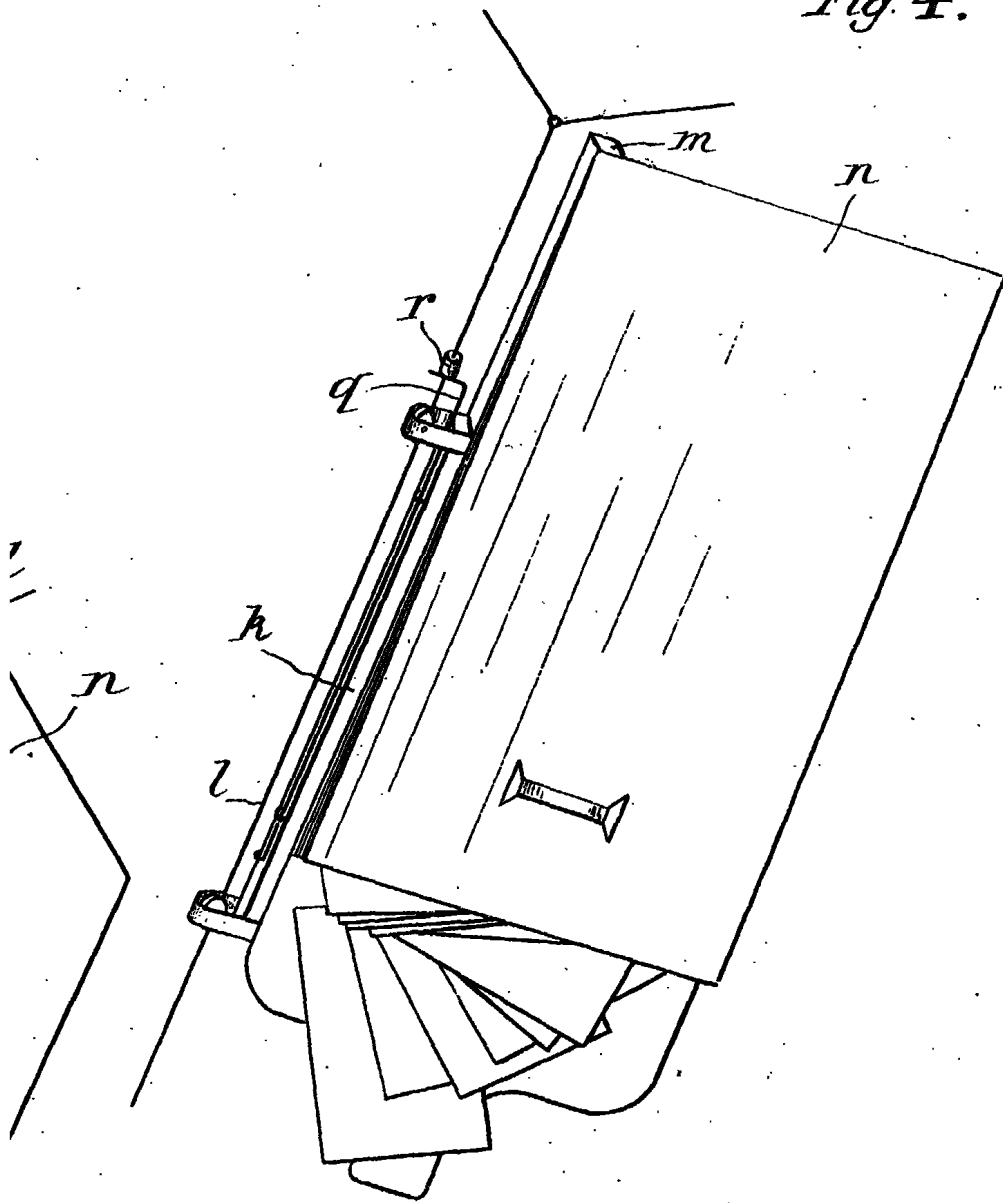


Fig. 3.



[This Drawing is a reproduction of the Original on a reduced scale.]

Fig. 4.



BIRMINGHAM  
FREE  
LIBRARIES.