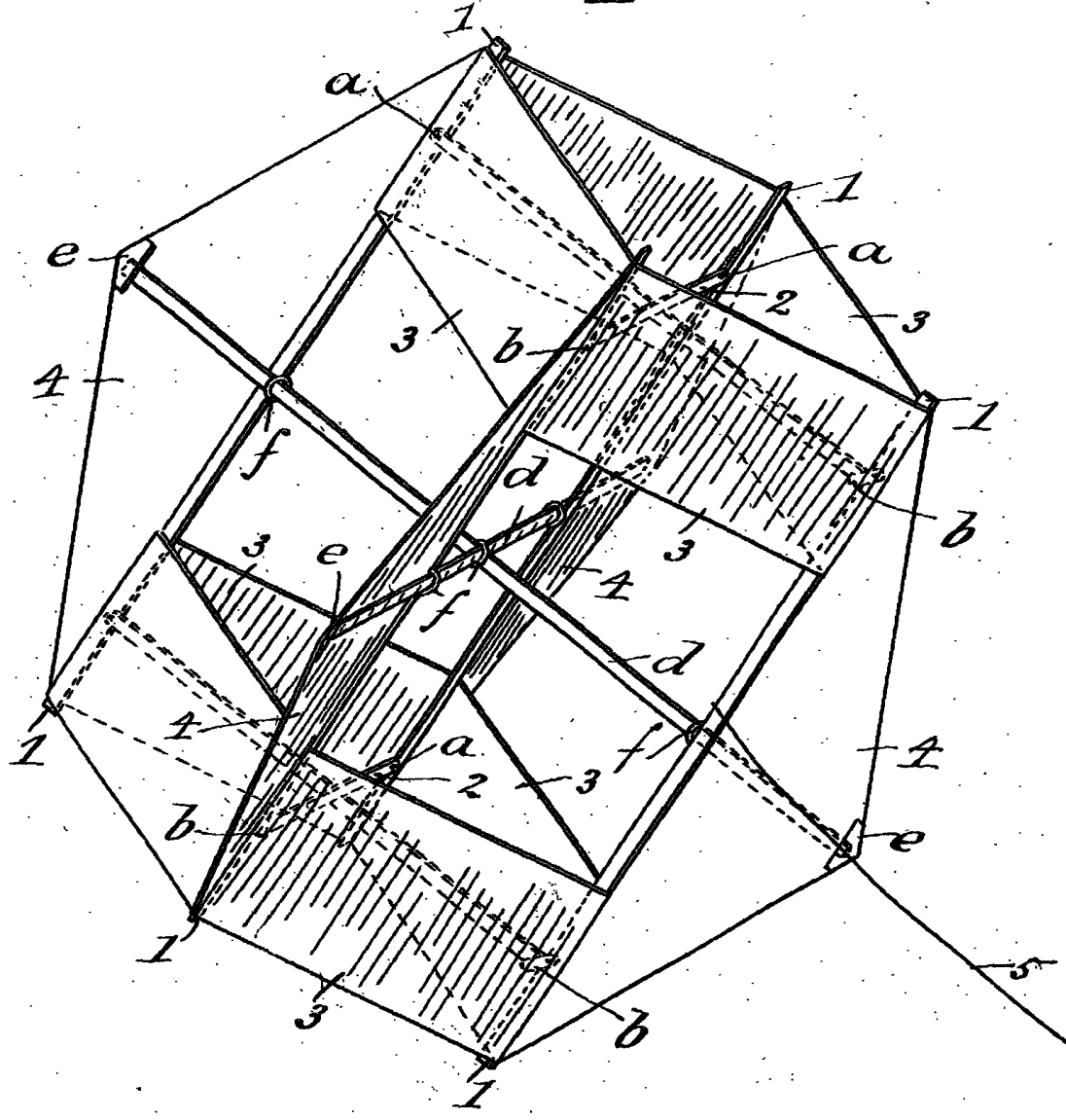


Fig. 1.



[This Drawing is a reproduction of the Original on a reduced scale.]

Fig. 2.

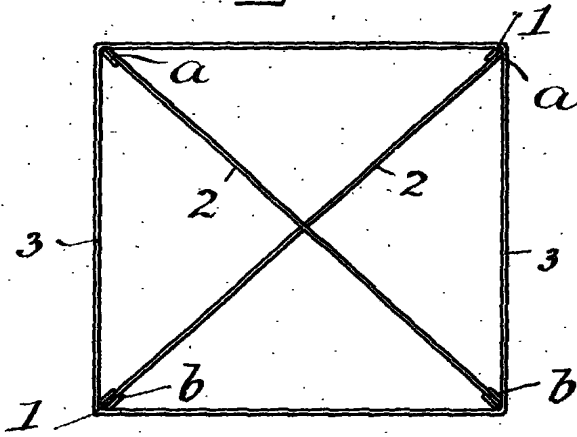


Fig. 3.

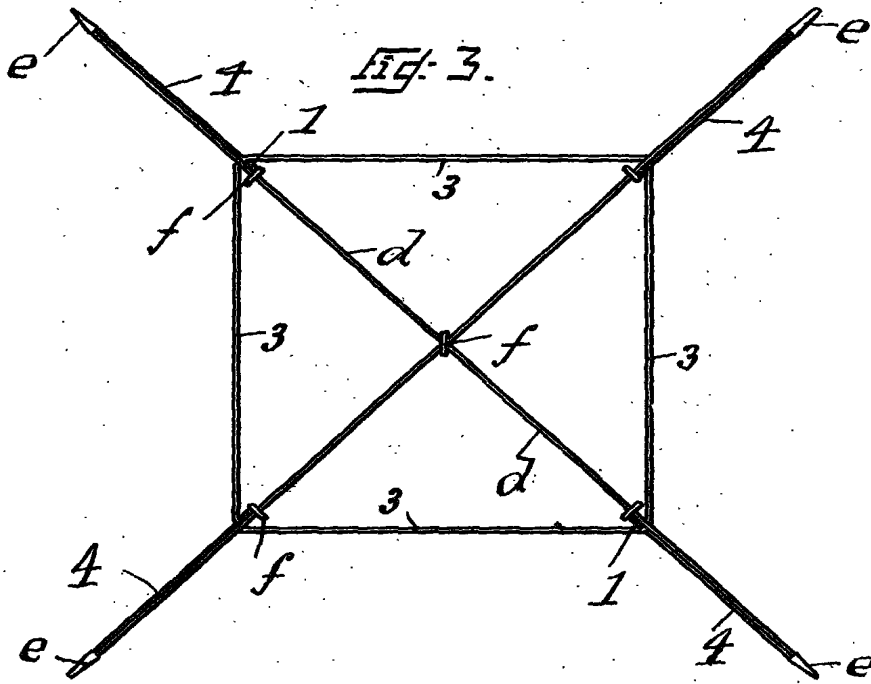


Fig. 4.

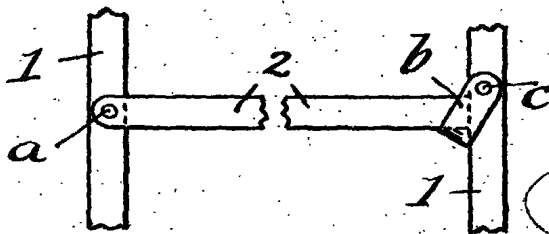


Fig. 5.



BIRMINGHAM
FREE
LIBRARY

[This Drawing is a reproduction of the Original on an unruled scale.]

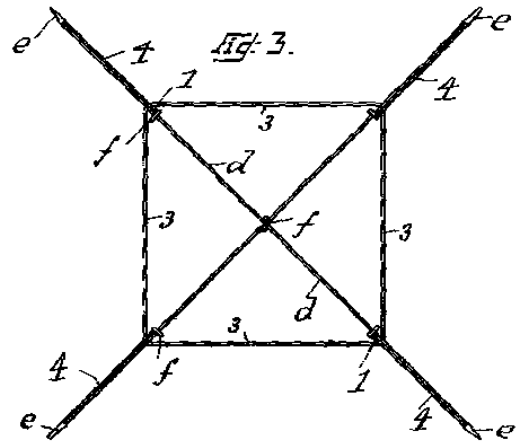
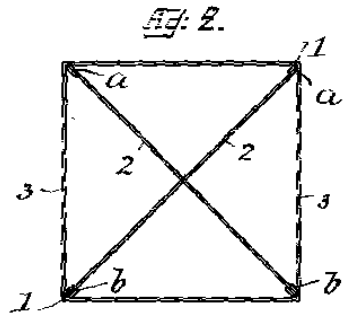
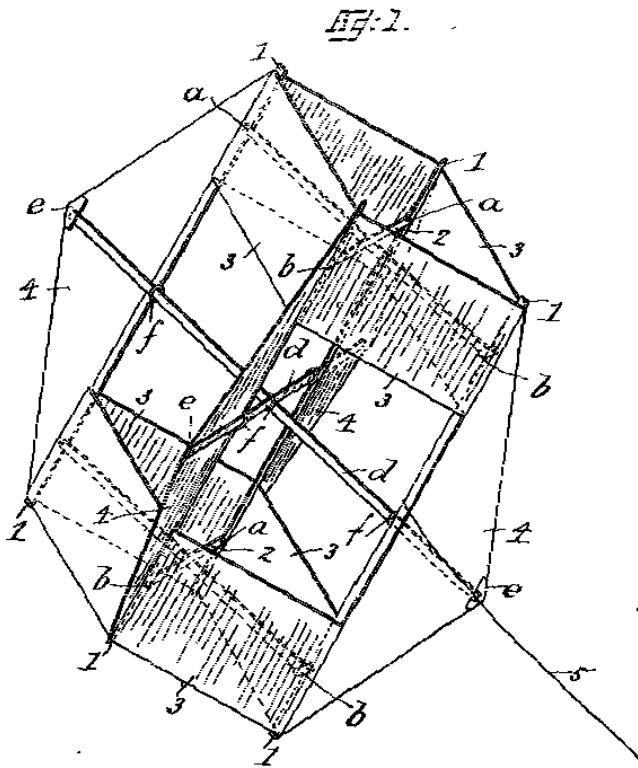


Fig. 4.

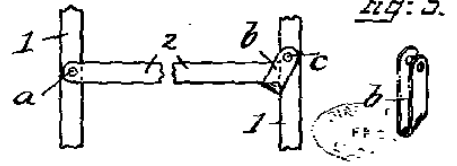


Fig. 5.

N^o 18,576



A.D. 1905

Date of Application, 14th Sept., 1905—Accepted, 2nd Nov., 1905

COMPLETE SPECIFICATION.

Improvements in the Construction of Kites.

I, JOHN SAMUEL PARKER, Merchant, of 126 to 129, Holborn, in the City of London, do hereby declare the nature of this invention and in what manner the same is to be performed, to be particularly described and ascertained in and by the following statement:—

5. This invention relates to improvements in the construction of box kites for sporting and other purposes.

It is illustrated in the accompanying drawings in which

Fig 1, shows the kite in perspective,

- 10 Fig 2 shows one end of the kite and illustrates the arrangement of the cross bars in either of the box portions of the kite.

Fig 3 shows the arrangement of cross bars for extending the wings.

Fig 4 shows on the larger scale the mode of connecting the cross bars to the main frame.

- 15 Fig 5 shows a U shaped attachment separately and on a larger scale. Like letters indicate like parts in all the figures.

- 20 The main framing consists of four bars or rods 1, 1., cross bars 2, 2, hold the main bars 1, 1, apart when the kite is in use. To this end each cross bar is at *a* hinged to a main bar; at its free end it is held by a U shaped attachment *b*, when the kite is in use, but lifted out when desired. This clearly appears from Fig. 4 which shows the end of bar 2, slipped into attachment *b*, hinged to the main bar 1 at *c*. By lifting bar 2 these parts are disconnected.

Round the main frame, and forming part of the same, are fixed two strips of fabric, or the like, see 3, 3, Fig 1.

- 25 At each corner is secured a further, triangular piece of fabric or the like, see 4, 4, these triangular pieces when stretched form wings.

Bars *d d* serve to stretch the wings; the bars *d, d*, are secured by inserting their ends in pockets *e e*, on the wings, see Figs. 1 and 3.

- 30 Rings *f f* may be slipped over the bars as shown in order further to secure the same.

The string or cord for flying the kite is shown at 5, and may be secured in any convenient manner.

- 35 It will be readily understood that a kite made as herein-above referred to can be readily folded up and will yet be rigid and effective when the parts are in the position shown in Fig 2.

Having now particularly described and ascertained the nature of my said invention and in what manner the same is to be performed, I declare that what I claim is:—

- 40 1. A kite constructed as described and as illustrated in the accompanying drawings.

2. In a kite such as hereinabove described the wings 4, 4, arranged as shown in the drawings.

3. In the kite shown in the drawings the stays or bars so arranged as to permit the kite to be folded up, substantially as illustrated in the drawings.

- 45 Dated this 14 day of September, 1905.

BERNHARD DUKES,
1, Gt. James Street, Bedford Row, London, W.C.
Agent for the Applicant.

Redhill: Printed for His Majesty's Stationery Office, by Love & Malcomson, Ltd.—1905.

[Price 8d.]

