

N° 20,811



A.D. 1907

Date of Application, 19th Sept., 1907

Complete Specification Left, 29th Nov., 1907—Accepted, 23rd Jan., 1908

PROVISIONAL SPECIFICATION.

Improvements in Kites

I LEWIS BILTCLIFFE of 115 Albert Road Blackpool in the County of Lancaster Warehouseman do hereby declare the nature of this invention to be as follows:—

5 The sail (or sails) fitted loosely to kite is the main feature; it is made quite separate & distinct and is fitted with eyelets just inside seam of sail; the stick is also placed inside this seam thus holding the sail taut and so making the flying movement steady. The sail is fastened to the main portion by means of separate pieces of strong cord threaded through eyelets fitted down both sides of upright standard, these cords may be any uniform length regulating distance of sail from kite; and they pass round the upright standard thus keeping it from springing out of pockets. The bow passes underneath upright standard. Materials used will be linen of various colors and the supports will be in wood or aluminium. 10 The kite will be in various sizes.

Dated this Eighteenth day of September 1907.

LEWIS BILTCLIFFE,

15

COMPLETE SPECIFICATION.

Improvements in Kites

I LEWIS BILTCLIFFE 115 Albert Road Blackpool in the County of Lancaster Warehouseman do hereby declare the nature of this invention and in what manner the same is to be performed, to be particularly described and ascertained in and by the following statement:— 20

This invention relates to improvements on that type of kite in which a triangular or rectangular sail or sails is fitted to the front of the kite for the purpose of steadying the flight of the kite.

25 The essential features of this invention consist in making the sail or sails distinct from the kite and in fixing it some distance therefrom by means of flexible loops, and in certain constructional shapes of sail shown in the accompanying drawings.

30 Figs. 1, 2, and 3, are respectively front, rear, and side views of a kite constructed in accordance with this invention. Figs. 4, 5, and 6 are side views of various types of single sail attachments. Figs. 7, 8, and 9, show various forms of double sails.

The kite 1 is made of linen or other suitable material and coloured if desired, and is provided with the usual cross members 2 fitting into end pockets 3. The sail or sails 4 to which the string 5 is attached are made separate and distinct

[Price 8d.]

FREE
LIBRARY

Billcliffe's Improvements in Kites.

from the kite and are fitted with eyelets 6 just inside the seam 7 of the sail. A stick is threaded in the seam 7 thus holding the sail taut and making the flying movement steady. The sail is fastened to the main portion of the kite by means of separate pieces of strong cord forming loops 8 threaded through eyelets fitted down both sides of the upright member 2; these loops may be any uniform length 5 regulating the distance of the sail edge from the face of the kite and they pass round the upright member 2 thus keeping it from springing out of the end pockets. The horizontal member or bow passes underneath the upright member or standard 2.

Having now particularly described and ascertained the nature of my said 10 invention and in what manner the same is to be performed I declare that what I claim is,

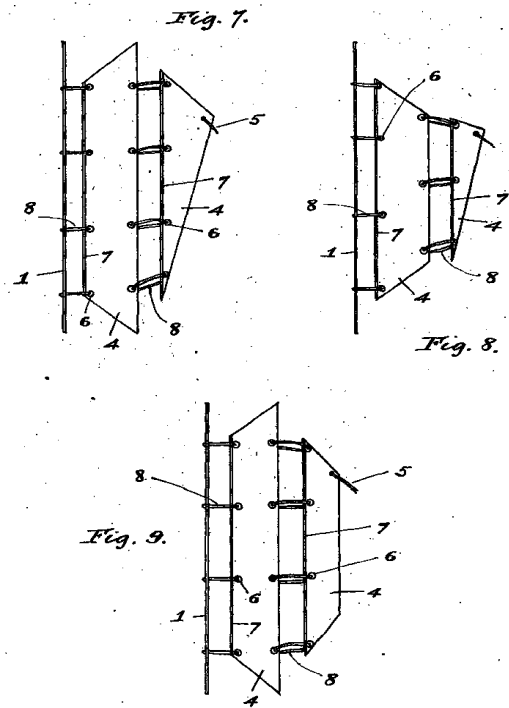
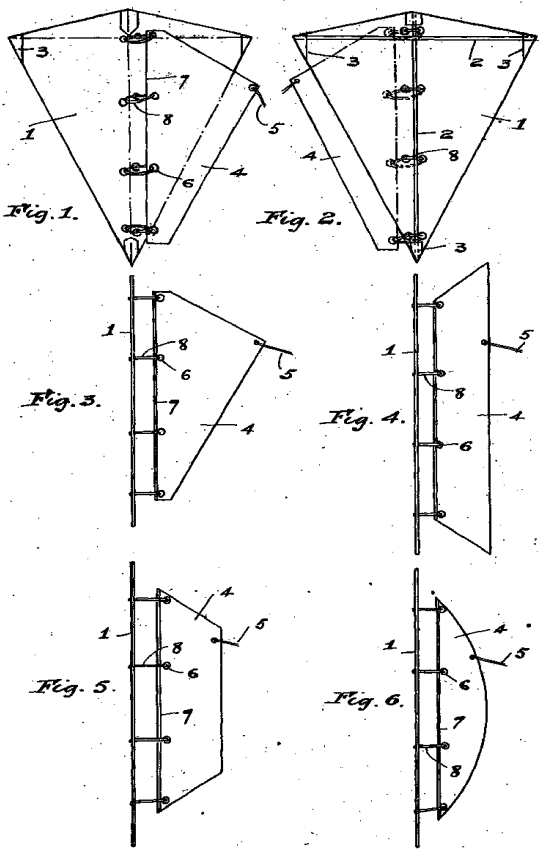
1. The improvements in kites of that type in which a sail or sail is fitted to the front of the kite, which consist in attaching the sail or sails loosely to the kite by means of a series of flexible loops so that there may be a free flow of air 15 across the face of the kite, substantially as described and shown in the accompanying drawings.

2. The improved kites substantially as described and shown in the accompanying drawings.

Dated this 8th. day of January 1908. 20

For the Applicant,

A. J. DAVIES,
Patent Agent by Examination,
37, Moorfields, Liverpool.



[This Drawing is a reproduction of the Original on a reduced scale.]

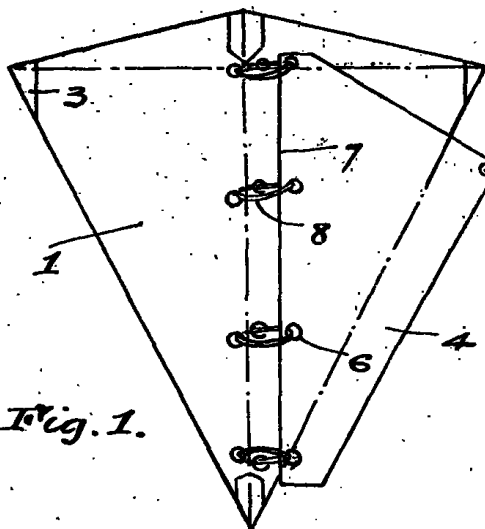


Fig. 1.

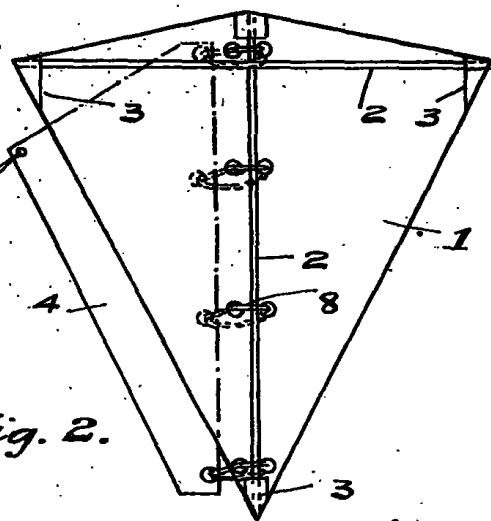


Fig. 2.

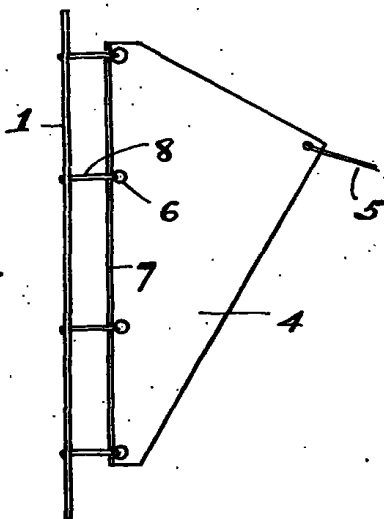


Fig. 3.

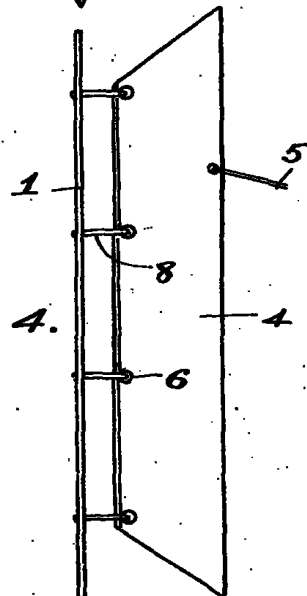


Fig. 4.

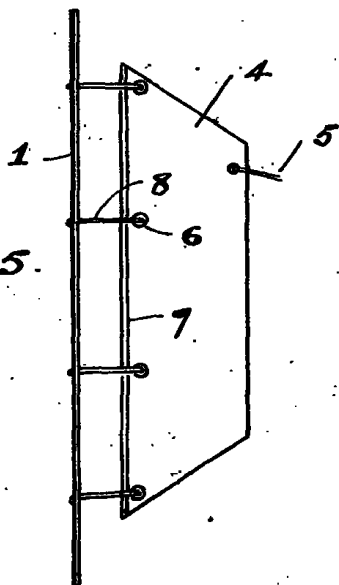


Fig. 5.

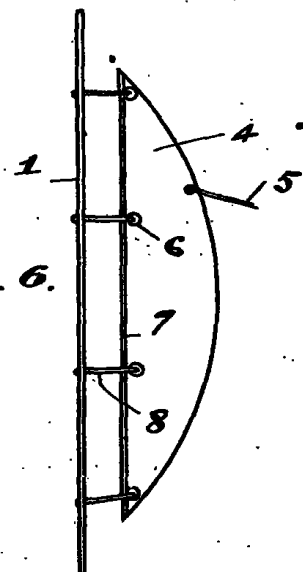


Fig. 6.

[This Drawing is a reproduction of the Original on a reduced scale.]

Fig. 7.

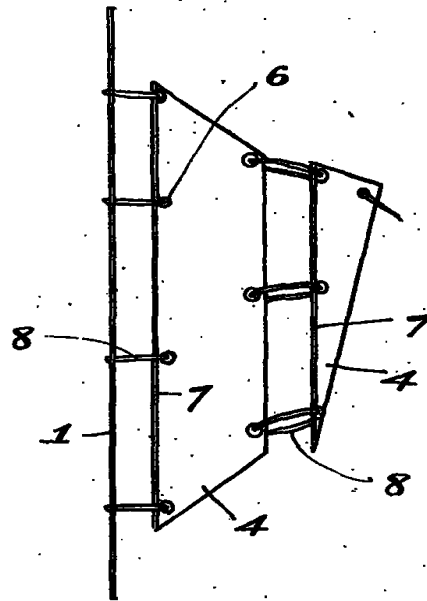
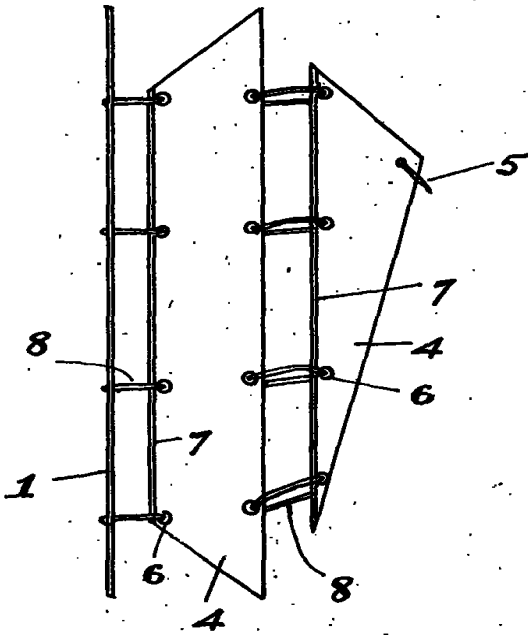


Fig. 8.

Fig. 9.

