

N<sup>o</sup> 28,145



A.D. 1907

Date of Application, 20th Dec., 1907—Accepted, 19th Nov., 1908

COMPLETE SPECIFICATION.

“Improvements relating to Kite Flying.”

I, ERNST AHRENS, Gentleman, of 26 Sielwall, Bremen, Germany, do hereby declare the nature of this invention, and in what manner the same is to be performed, to be particularly described and ascertained in and by the following statement:—

5 The present invention relates to an improvement in the game of kite flying, namely a ship which is adapted with spread sails and under the influence of the wind, to fly up the string connected to the kite and then to return, due to its own weight and with lowered sails.

In order to attain this end a device is provided by means of which, when  
10 the ship has reached the kite, the sails are automatically lowered. Toys of this kind are already known and have been fitted with automatic sail-lowering devices. The novelty in the present invention lies in the arrangement & operation of this device.

In the accompanying drawing, is shown the object of the present invention.

15 Fig 1 is a general view of the apparatus.

Fig 2 is an enlarged view of the automatic sail-lowering device being a section on A B in Fig 3:

Fig 3 is a plan of Fig 2.

20 *a* is the ship provided with a mast *f*, and *g* is the main sail. To the upper sail yard *h* are fixed elastical strings *k* which tend to pull the sail downwards. The yard *h* is provided with a hook or eye *i* which projects through a board *r* fixed to the mast head and through which is passed a hook *n* being guided in eyes *o*.

25 By pushing back the rod *m* the eye *i* is released from the hook *n*. By means of the rolls *b*, *c* mounted in the brackets *s* which are fixed on the board *r* and the guiding forks *e*, the ship is mounted on the kite string *d*.

Immediately in front of the kite there is arranged on the kite string *d* a spring influenced buffer *p*.

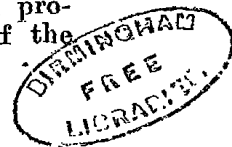
30 If the ship with spread sails is mounted on the kite string *d*, then it is driven upwards by the wind. As soon as the rod *m* abuts against the buffer *p*, the eye *i* is released from the hook *n* and sail is lowered on account of its own weight and the elastic string *k*. In consequence of this the ship then commences its downward movement. The string *q* is connected by the string *t* to the ends of the yard *h* and passes through a ring *l* on the underside of the  
35 board *r*. By pulling the end of this string the sails can be set again when the ship returns to the bottom of the kite string.

Although this ship is adapted for improving the game of kite flying, it can also be used as an advertising means by sending up different advertisements towards the kite without it being necessary to pull the kite down.

40 Having now particularly described and ascertained the nature of my said invention, and in what manner the same is to be performed, I declare that what I claim is:—

A ship for kites with a device for automatically lowering the sails, characterised by a spring influenced rod *m* movably mounted in a board *r*, and provided with a hook *n* guided in eyes *o*, an eye *i*, fixed to the yard *h* of the

[Price 8d.]



---

*Ahrens's Improvements relating to Kite Flying.*

---

sail *g*, and passing through the board *r*, being caught on this hook *n* by which arrangement when the rod *m* abuts against the buffer *p* of the kite, this rod *m* is pushed back and the hook *n* released from the eye *i* in consequence of which the sail is lowered on account of its own weight and an elastic string *k*, substantially as described and shown and for the purpose set forth.

Dated this 20th day of December, 1907.

D. MADDISON & Co.,  
Civil Engineers,  
Agents for Applicant.

Fig. 1

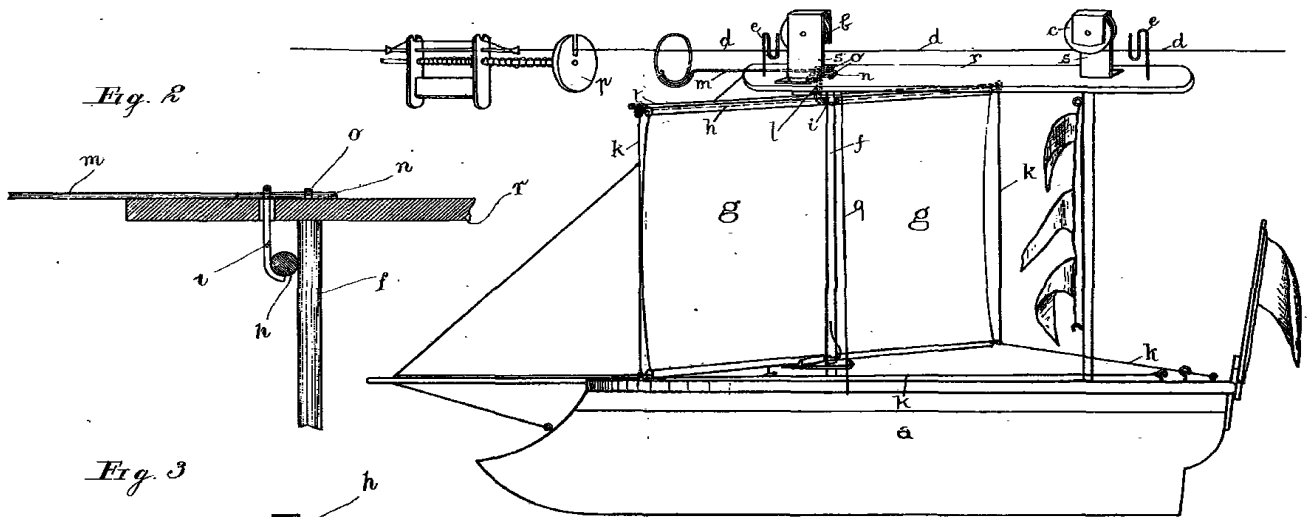


Fig. 2

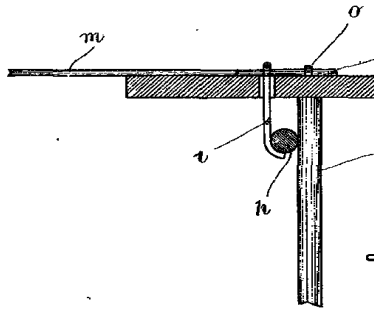
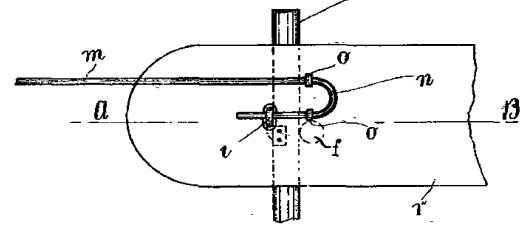


Fig. 3



[This Drawing is a reproduction of the Original on a reduced scale.]

DISBURGHALD  
P.F.F.E  
M. 2. 1907

Melzy&Sone, Photo-Litho

Fig

Fig. 2

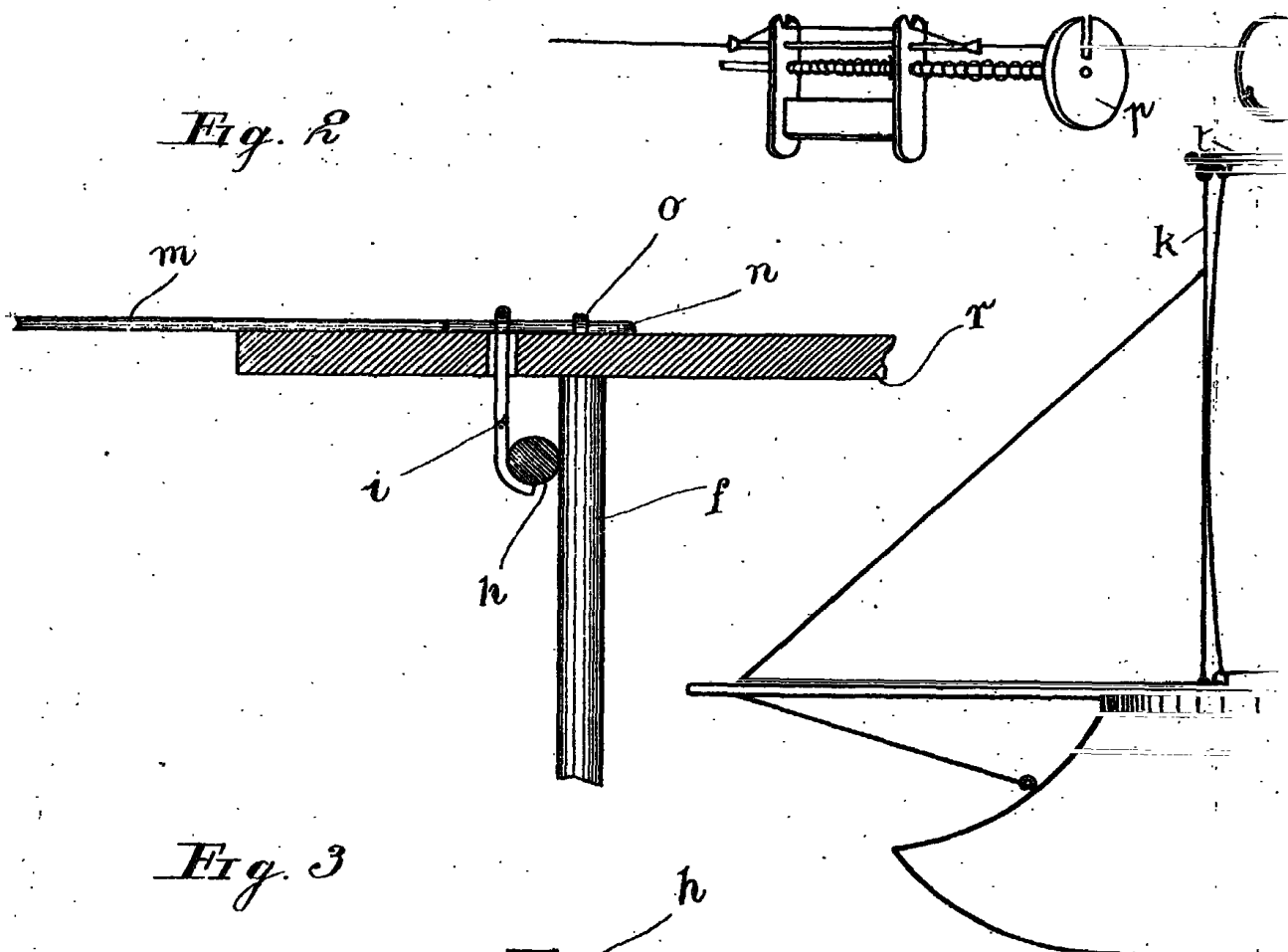
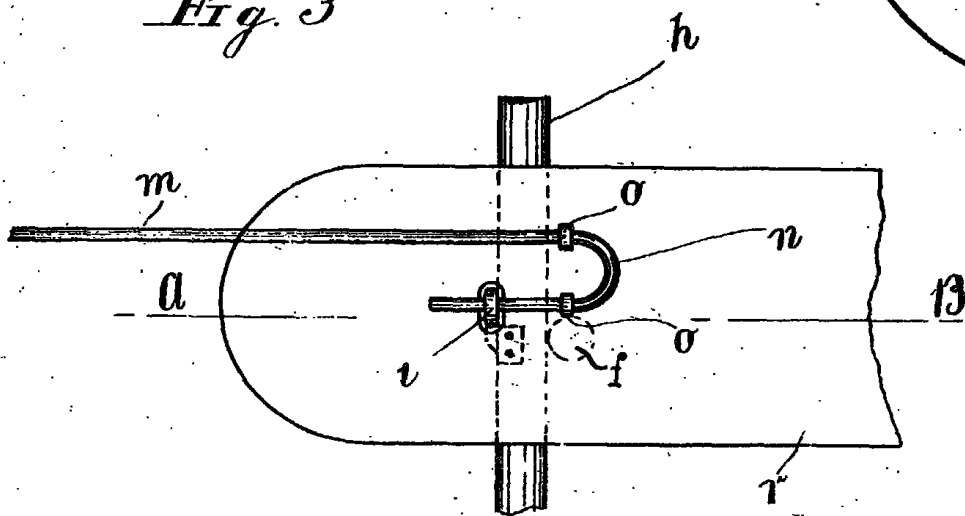
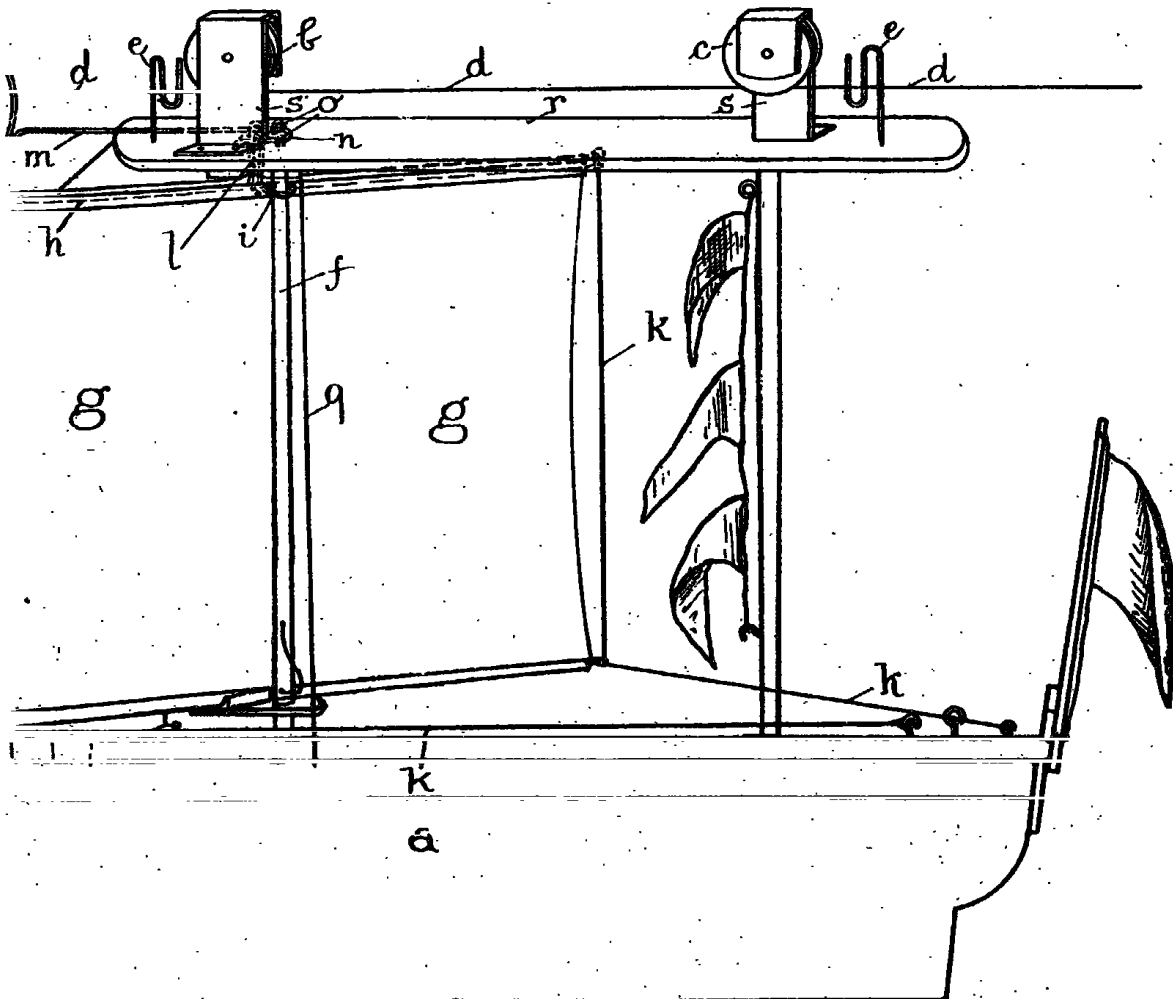


Fig. 3



[This Drawing is a reproduction of the Original on a reduced scale.]

I



BIRMINGHAM  
FREE  
LIBRARIES